

BRACTON SUB ZERO

KEG
DISPENSE
MADE EASY

High Performance Direct Draw Beer Dispenser Range

ENGINEERED. RELIABLE.

Introducing the all new Bracton direct draw Sub Zero series beer dispensers. Stainless steel inside and out the range has been designed to store and dispense from standard commercial beer kegs.

ENERGY EFFICIENT DESIGN

High thermal efficiency minimises heat loss ensuring chilled beer all year round.

PLUG IN AND POUR

Self install design. No fuss installation. Connect gas an tap to a chilled keg and you're ready to pour.

FEATURES

- Heavy duty reinforced stainless steel construction
- Industrial castor wheels for easy transport
- Integrated drip tray
- Self closing doors
- Security key locked kegs storage
- Bottle shelving
- Glass retail display door (3 door model)
- Made for Australian conditions



MODEL	BDD1S	BDD2S	BDD3S
CAPACITY	1 Keg / 1 Tap	2 Kegs / 2 Taps	4 Kegs / 2 Taps
INTERNAL SIZE (WDH)	50 x 66 x 73	92 x 51 x 79	153 x 51 x 79
EXTERNAL SIZE (NO TOWER)	60 x 78 x 102	124 x 62 x 91	185 x 62 x 91
OPERATING TEMPERATURE	0.5 - 3.5°C		
CONTROLLER	Mechanical	Carel PJ Ezy	
COMPRESSOR REFRIGERATION CAPACITY	Embraco 435w	Embraco 800w	Secop / Danfoss 1500w
ELECTRICAL	240v / 0.8A	240v / 2.5A	240v / 2.5A
INTERIOR / EXTERIOR	High Grade Reinforced Stainless Steel		

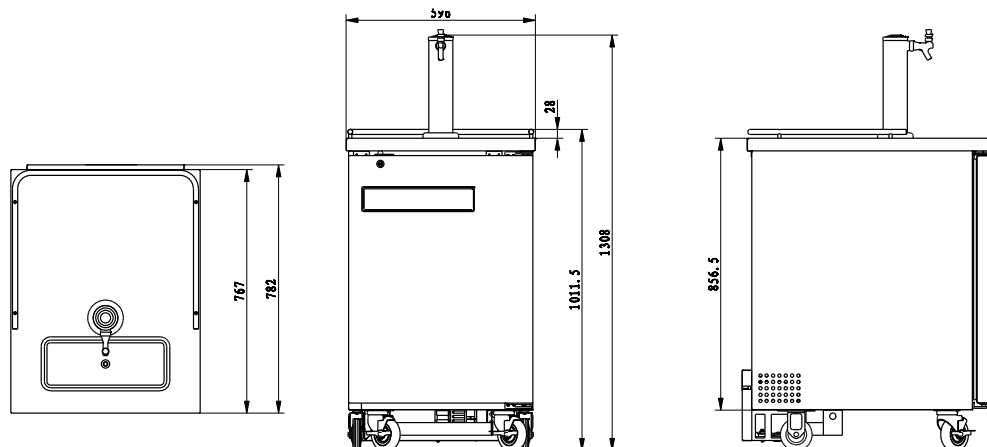
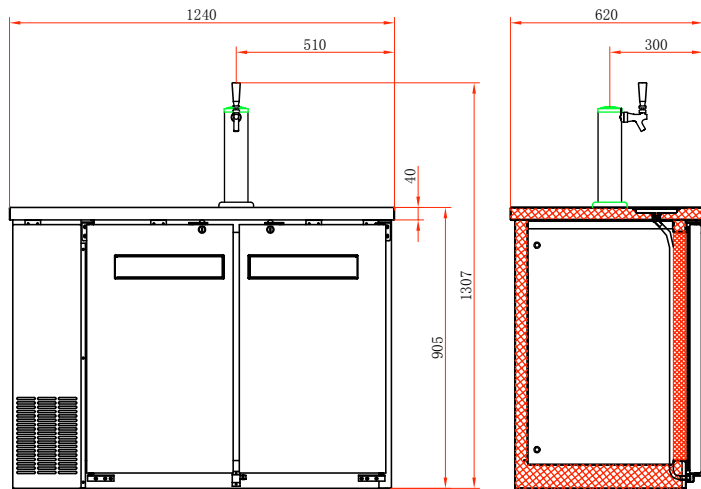
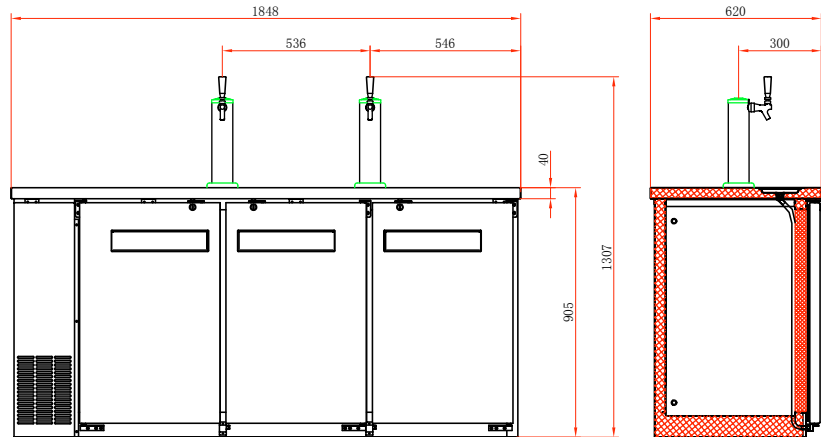
Bracton Industries (NSW) Pty Limited
50 - 54 Chard Road, Brookvale NSW 2100
Phone +61 2 9938 1800

www.bracton.com

BRACTON SUB ZERO

KEG
DISPENSE
MADE EASY

High Performance
Direct Draw Beer Dispenser Range



Bracton Industries (NSW) Pty Limited
50 - 54 Chard Road, Brookvale NSW 2100
Phone +61 2 9938 1800

www.bracton.com